

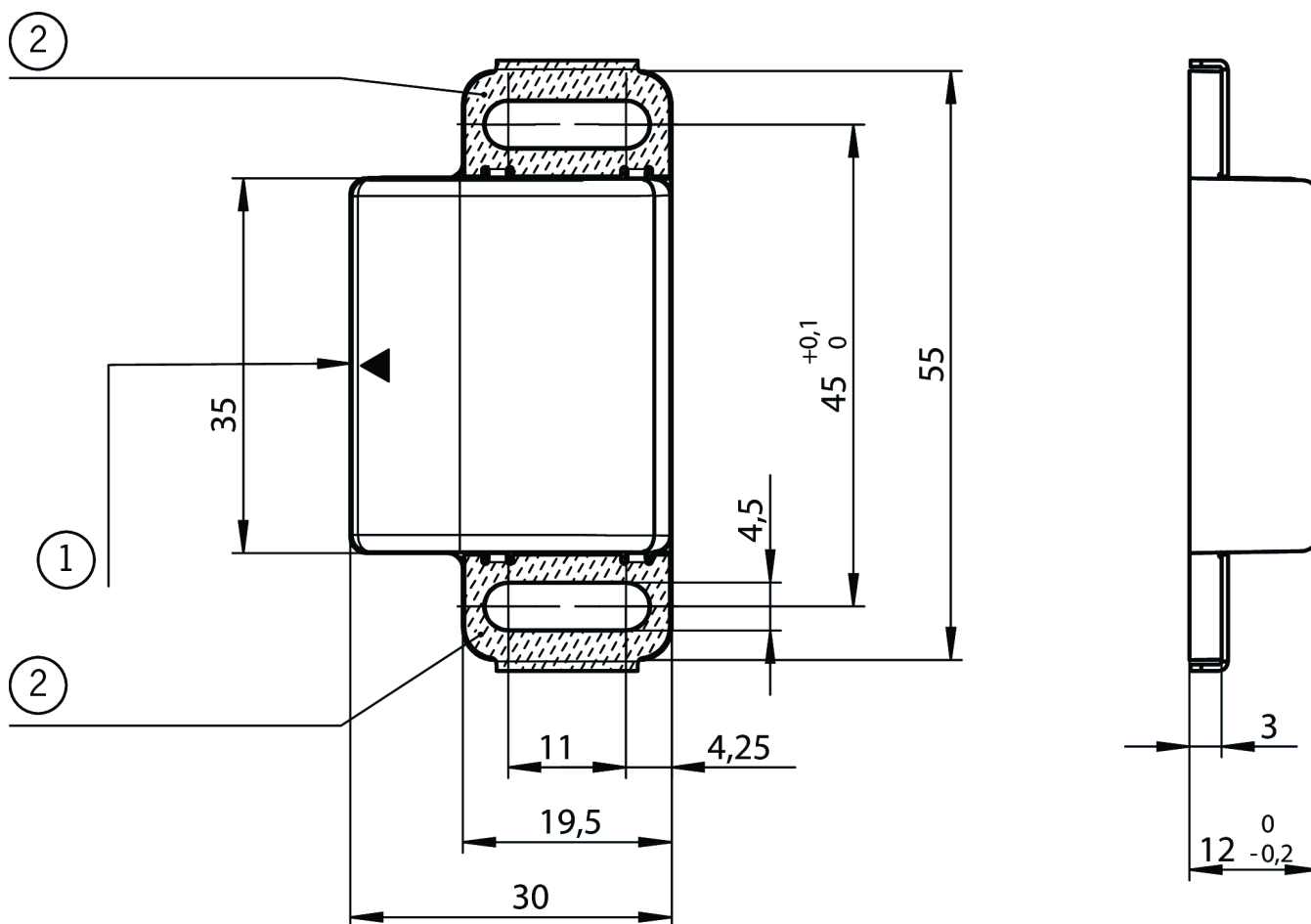
CES-A-BLN-U2-103450 (Order no. 103450)

Actuator CES-A-BLN-U...

- ▶ Cube-shaped design 55 x 30 mm
- ▶ Use independent of position of door hinge
- ▶ Reinforcement plates
- ▶ Two safety screws M4x14 included



Dimensional drawings



1 Active face

2 Reinforcement plate

Technical data

Approvals



Electrical connection values

Power supply	Inductive via read head
--------------	-------------------------

Mechanical values and environment

Tightening torque	
	Fixing screws max. 1 Nm
Degree of protection	IP67/IP69K
Ambient temperature	-40 ... +70 °C
Material	
	Housing Plastic (PBT)

Downloads

All documentation for this material can be found on our website:

<https://www.euchner.de/en-us/a/103450/?#downloads-tab>

Ordering data

Ordernumber	103450
Item designation	CES-A-BLN-U2-103450
Gross weight	0,024kg
Customs tariff number	85389099990
ECLASS	27-27-24-04 Actuator for safety-related proximity switch

Accessories

Mounting accessories

Safety screws M4 x 14

074063

M4X14-NIRO/V100

- ▶ Safety screws M4 x 14
- ▶ Screw head diameter: 10 mm
- ▶ Packaging unit 100 pieces

Safety screws M4 x 14, large head

086232

M4X14-NIRO/V100

- ▶ Safety screws M4 x 14 (large head)
- ▶ Packaging unit 100 pieces